

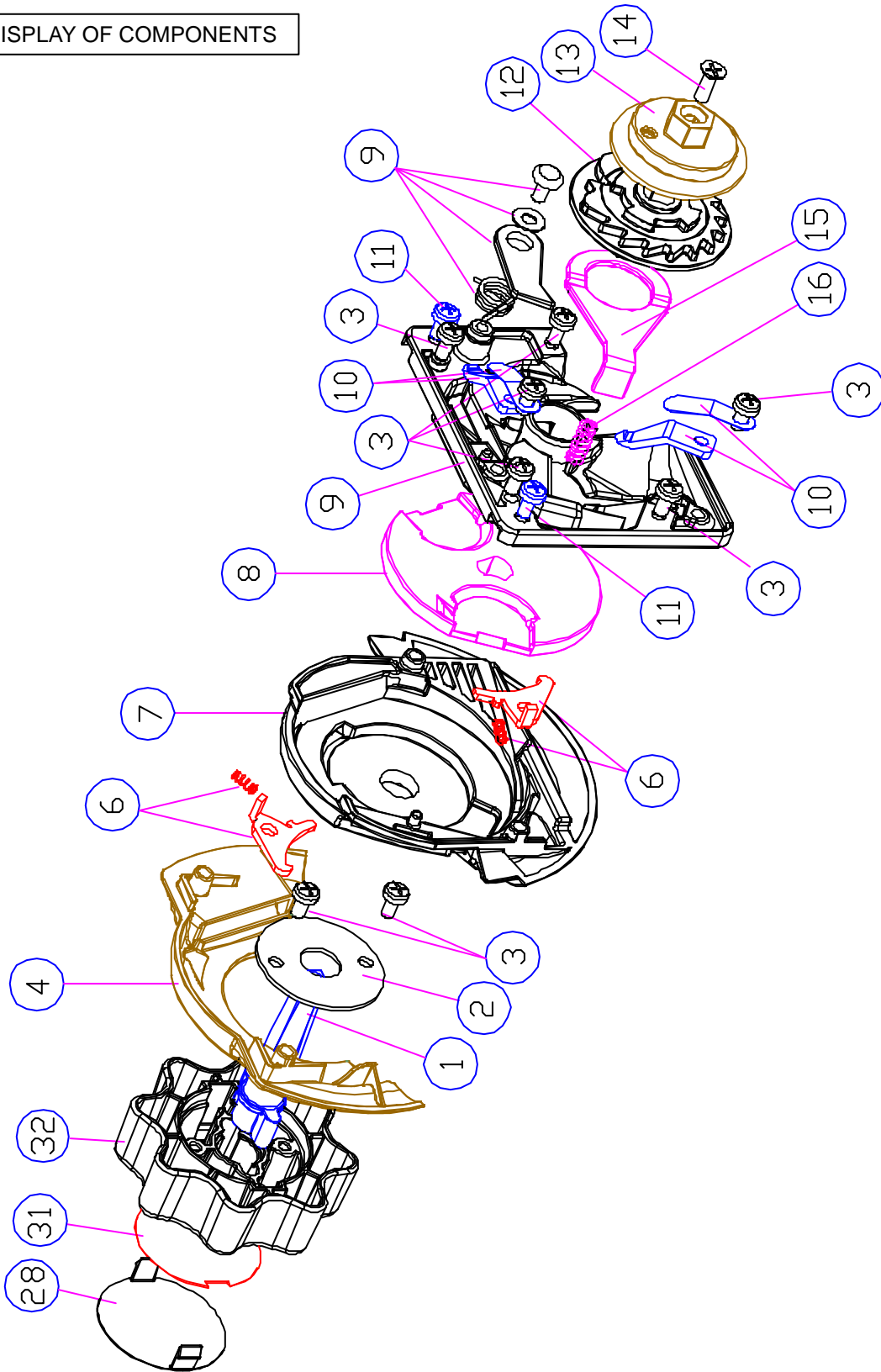
# Technical Manual

## DISCAPA STATION COIN MECHANISM



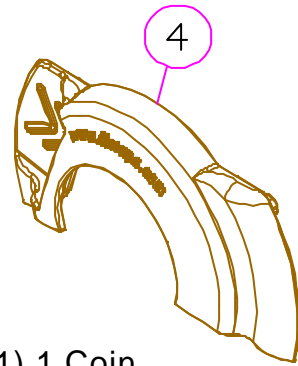
# Discapa Station coin mechanism

DISPLAY OF COMPONENTS



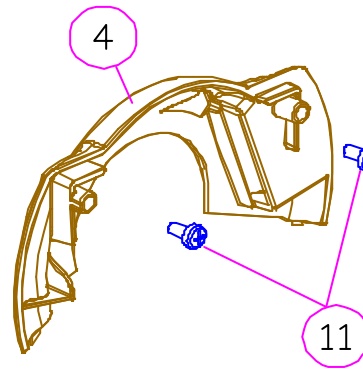
## Variants of the Discapa Coin Mechanism

Front view

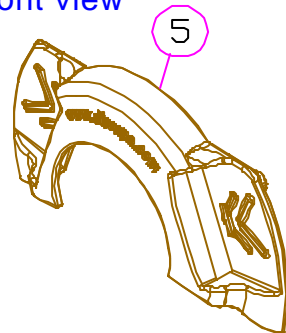


1) 1 Coin

Rear view

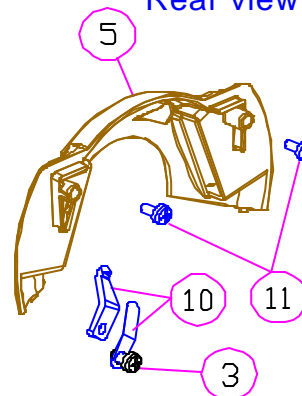


Front view

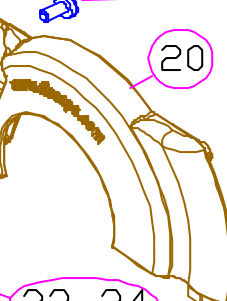


2) 2 Coins

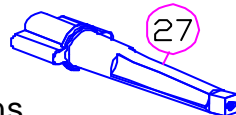
Rear view



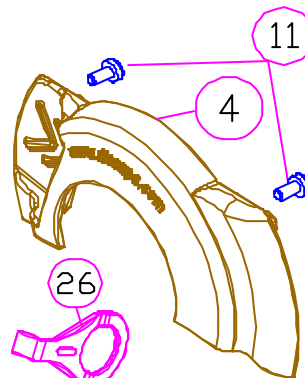
21-23



3A.) Token Ø22mm.  
3B.) Token Ø26 mm.



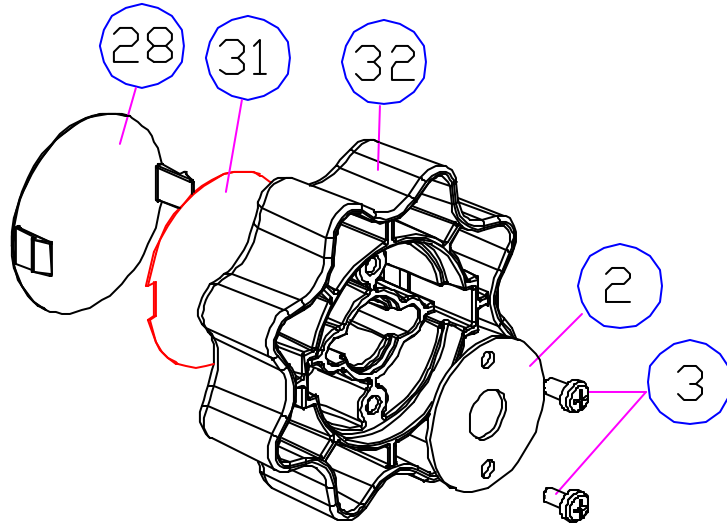
4) 3 Coins



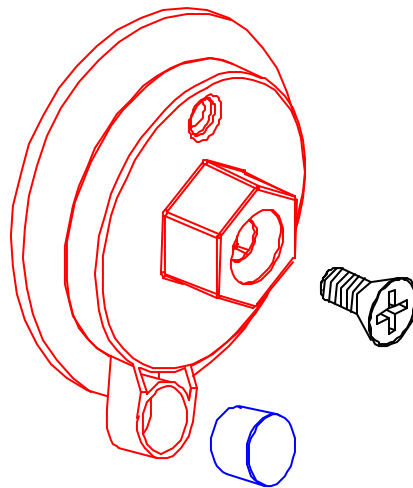
| SUMMARY |              |                                    |
|---------|--------------|------------------------------------|
| Nº      | Code         | Description                        |
| 1       | R1MO-983     | Coin shaft for 1 and 2 coins       |
| 2       | R1MO-982     | Handle locking plate               |
| 3       | R1MO-994     | Handle screw/chassis/hook strip    |
| 4       | R1MO-904     | 1 coin yellow selector             |
| 5       | R1MO-914     | 2 coins yellow selector            |
| 6       | R1MO-986     | Diameter reader cam + spring       |
| 7       | R1MO-984     | Silver front chassis               |
| 8       | R1MP-A/C *   | Coin carrier                       |
| 9       | R1MO-985     | Rear chassis                       |
| 10      | R1MO-987     | Thickness coin reader hook + strip |
| 11      | R1MO-993     | Coin selector screw                |
| 12      | R1MO-990     | 1 and 2 coin cogged cam            |
| 13      | R1MO-991     | Coin mechanism extension           |
| 14      | R1MO-992     | Extension screw                    |
| 15      | R1MO-988     | 1 and 2 coins balance lever        |
| 16      | R1MO-989     | Balance lever spring               |
| 20      | R1MO-964     | Token yellow selector              |
| 21      | R1MP-801     | Ø 22 mm. 1 token coin carrier      |
| 22      | R1MO-971     | Ø 22 mm. token                     |
| 23      | R1MP-802     | Ø 26 mm. 1 token coin carrier      |
| 24      | R1MO-972     | Ø 26 mm. token                     |
| 25      | R1MO-995     | 3 coins cogged cam                 |
| 26      | R1MO-996     | 3 coins balance lever              |
| 27      | R1MO-997     | Coin shaft for 3 coins             |
| 28      | R3MO-902     | Logo protector                     |
| 31      | R2MO-902     | Discapa Station logo label         |
| 32      | No reference | Discapa Station handle             |

**A/C\*** - (According to the country) – Please specify value and currency of coin when placing order.

| KITS   |              |                            |
|--|--------------|----------------------------|
| R2MO-901 DISCAPA STATION COIN MECHANISM HANDLE |              |                            |
| Nº   | Code         | Description                |
| 28   | R3MO-902     | Logo protector             |
| 31   | R2MO-902     | Discapa station logo label |
| 32   | No reference | Handle                     |
| 2  | R1MO-982     | Handle locking plate       |
| 3  | R1MO-994     | Handle locking plate screw |



**R1MO-981 COIN MECHANISM EXTENSION + MAGNET**

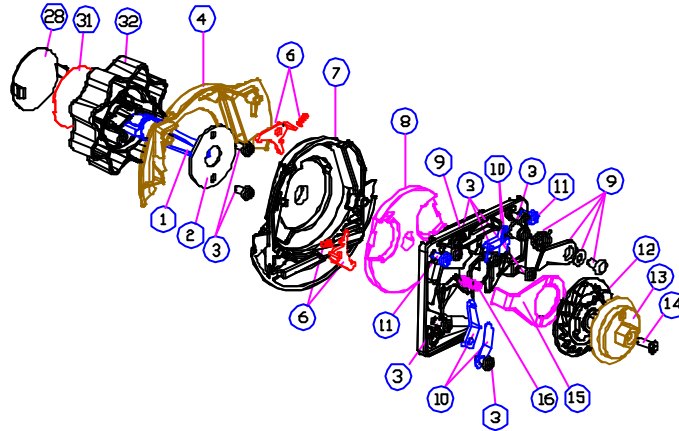


**Note.**

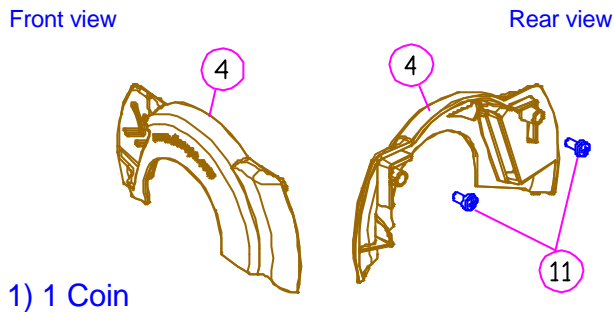
- This item is only for vending machines with counter.

# Variants of the Discapa Station Mechanism

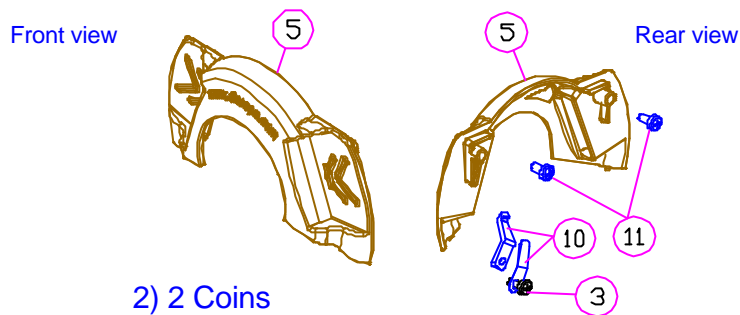
## Procedure to change from 1 coin to 2 coins



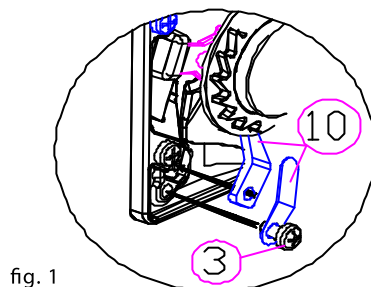
- If the coin mechanism works with 1 coin and we want it to work with 2 coins, we will have to:
1. Remove the 1 coin selector (4) by unscrewing the two screws (11).



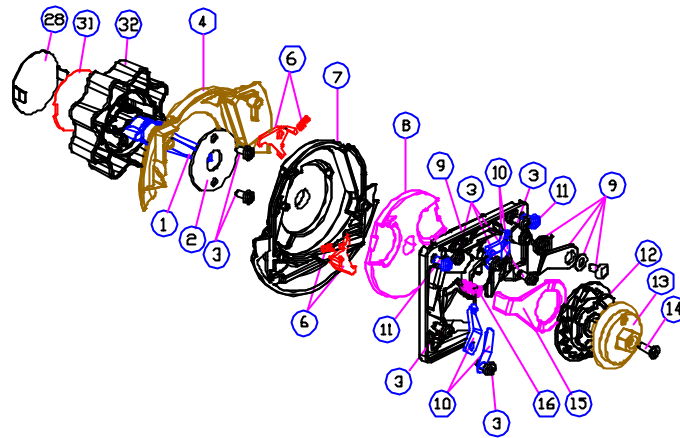
2. Replace it with the 2 coin selector (5) and make sure that the position is the same.



3. Place the parts into their corresponding space: the thickness coin reader hook + strip (10) and the crank handle screw (3) as shown in fig. 1.

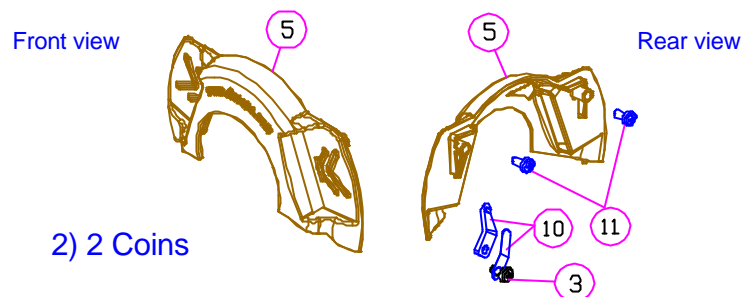


## Procedure to change from 2 coins to 1 coin.

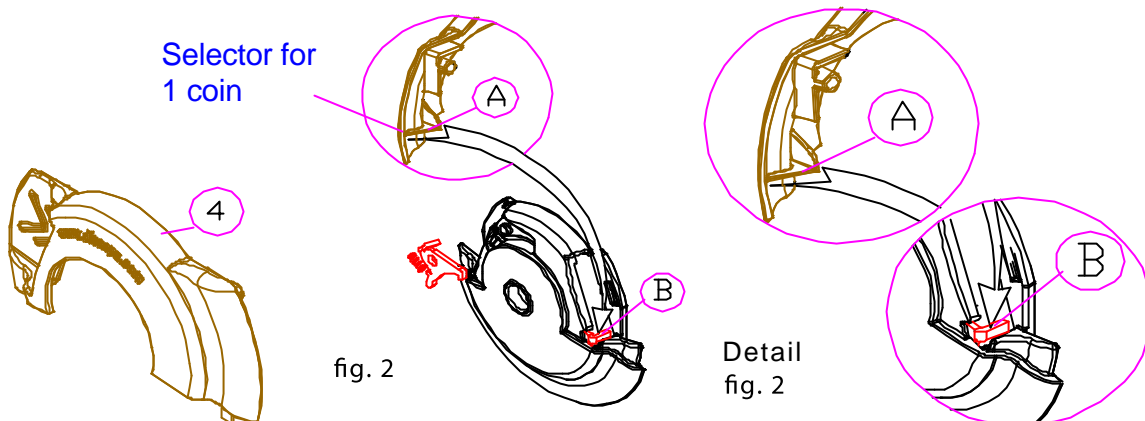


- If the coin mechanism works with 2 coins and we want it to work with 1 coin, we will have to:

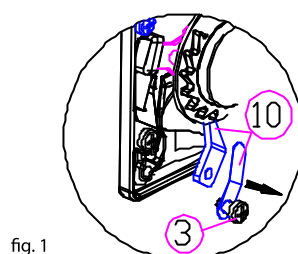
1. Remove the 2 coin selector (5) by unscrewing the two screws (11).



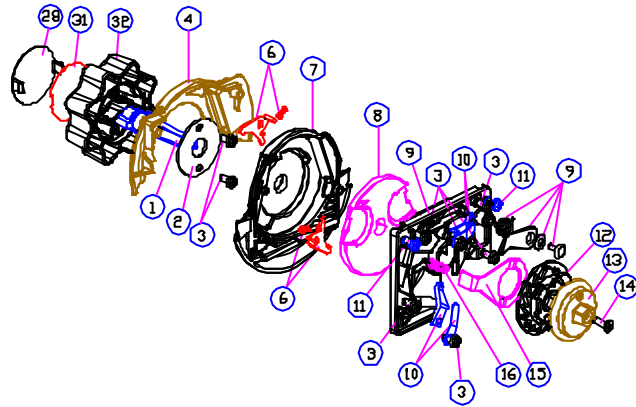
2. Now replace it with the 1 coins selector (4) watching out the position remains the same and make sure that point (A) of the 1 coin selector triggers point (B) of the diameter reading cam, as shown in fig. 2.



3. Once the selector is fitted in, remove the following parts: the screw (3), and the thickness coin reader hook + strip (10).

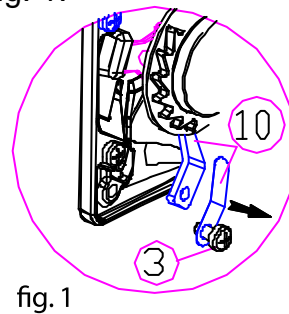
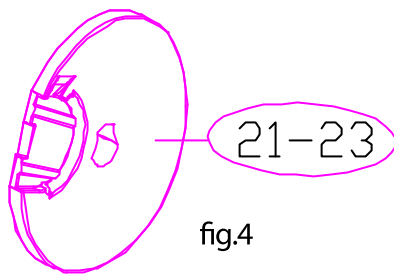


**Procedure to change from 1 or 2 coins to 1 token.**

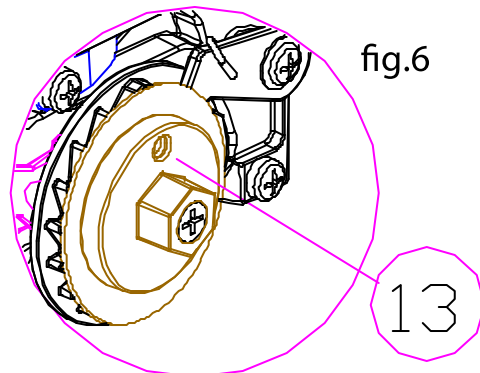
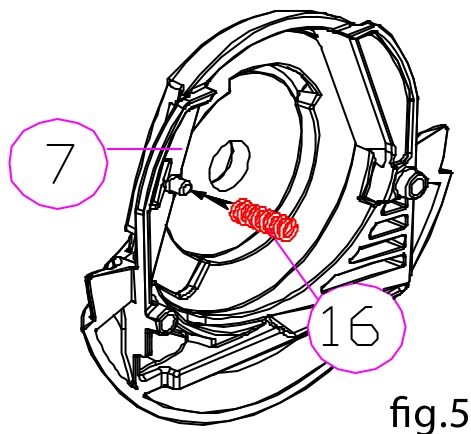


- If our coin mechanism works with 1 or 2 coins and we want it to work with 1 token, we will have to:
  1. Remove the extension screw (14), the extension (13), the two screws (3) of the lower parts of the rear chassis (9) and the two screws (11) that hold the selector.
  2. Next detach the rear chassis (9) from the front chassis (7) and try not to lose the balance lever spring (16). Then replace the 1 and 2 coins carrier (8) with the token coin carrier (21 or 23) fig. 4, according to the diameter of the token you wish to be use and check that it remains well fixed in the front chassis.

**Note.** If the coin mechanism you wish to replace operates with 2 coins, you will also have to remove parts (10 and 3), as shown in fig. 1.

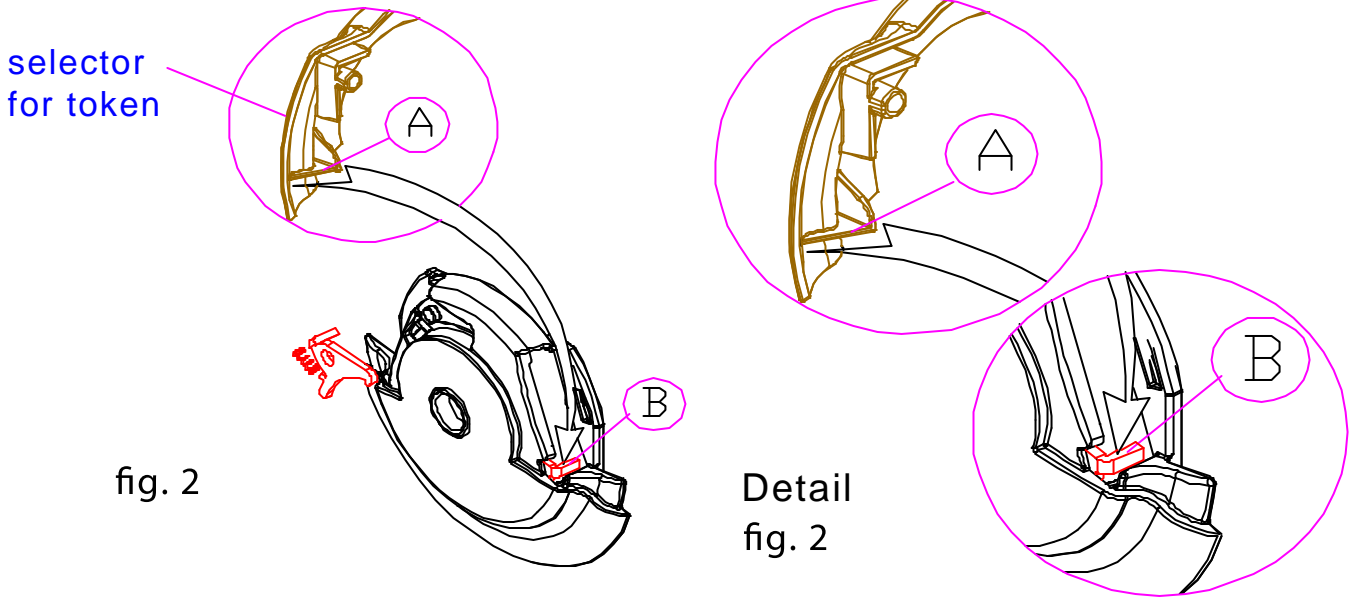
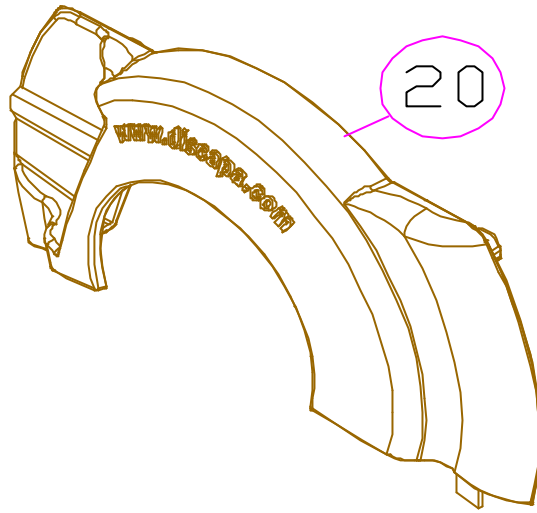


3. Now place the balance lever spring (16) into the salient intended for this purpose on the front chassis, fig. 5, and then fit and screw the rear chassis and the extension (13), fixing the positioning point of the extension on the upper side, fig. 6.

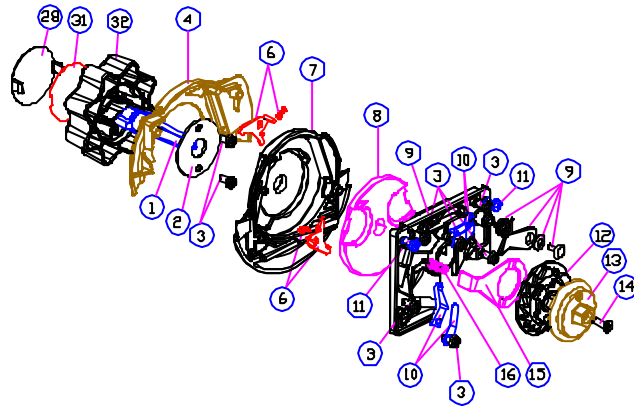




4. In order to complete the assembly, fit the token selector (20) in the same position where the removed selector was placed and make sure that point (A) of the token selector triggers point (B) of the diameter reading cam, as shown in detail in fig. 2.



Procedure to change from 1 or 2 coins or 1 token to 3 coins.



- If our mechanism works with 1 or 2 coins or 1 token and we want it to work with 3 coins, we will have to:
  1. Unscrew the extension screw (14), the extension (13), the two screws (3) of the lower parts of the rear chassis (9) and the two screws (11) that hold the selector.
  2. Next detach the rear chassis (9) from the front chassis (7) and make sure not to lose the balance lever spring (16). Then activate the cogged cam (Z), pulling it clockwise upwards as shown in fig.3. until it protrudes from the exterior diameter of the cogged cam (12). Now the following parts can be extracted and replace: the cogged cam (12) with the 3 coins cogged cam (25), the balance lever (15) with the 3 coins balance lever (26) and the coin shaft for 1 and 2 coins (1) with the coin shaft for 3 coins (27) which must be fixed on the handle of the mechanism. Finally replace the 1 or 2 coin carrier (8) or token (21-23) with the 3 coin carrier (8) and check that it is well fixed into the front chassis.

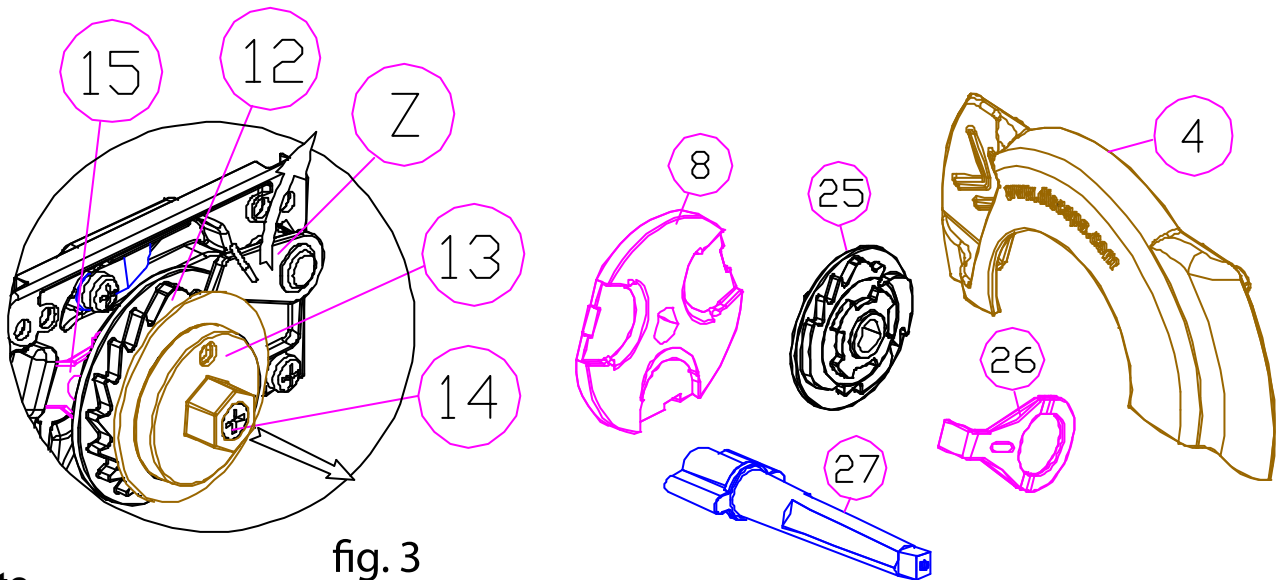


fig. 3

**Note.**

- If the 2 coin mechanism is to be replaced, parts (10 and 3) shown in fig. 1 must also be removed.

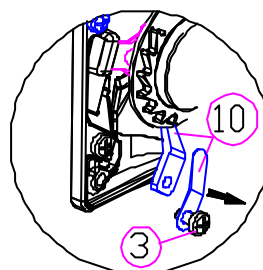
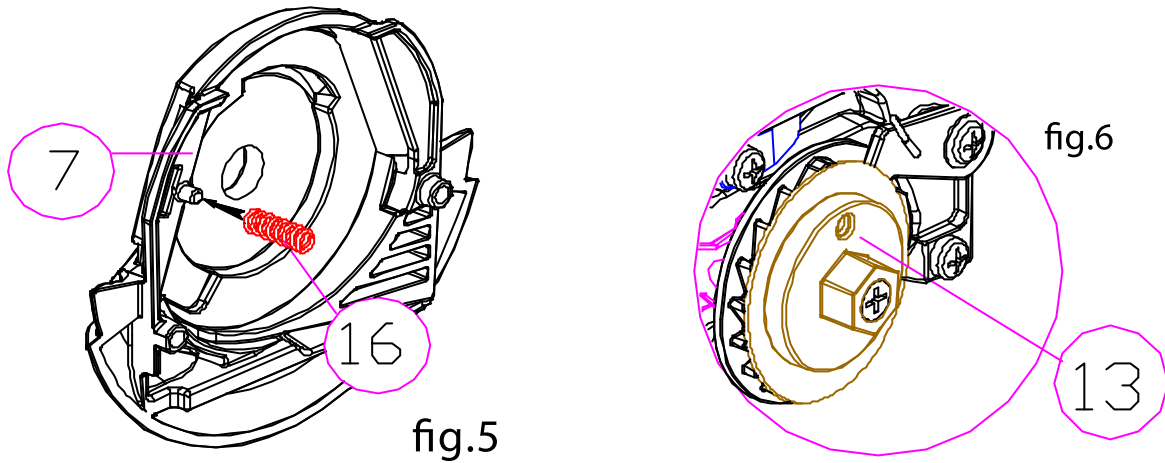


fig. 1

- In both in the 2 coin and token mechanism, you will have to be substitute the selector of these mechanisms for the 1 coin selector (4).
3. Next, place the balance lever spring (16) in the salient intended for this purpose on the front chassis, fig. 5, fit and screw the rear chassis and the extension together (13), fixing the positioning point of the extension on the upper part, fig. 6.



4. In order to complete the assembly, put the 1 coin selector (4) in the same position where the removed selector was placed, making sure that point (A) of the 1 coin selector triggers point (B) of the diameter cam, as shown in detail in fig. 2.

