

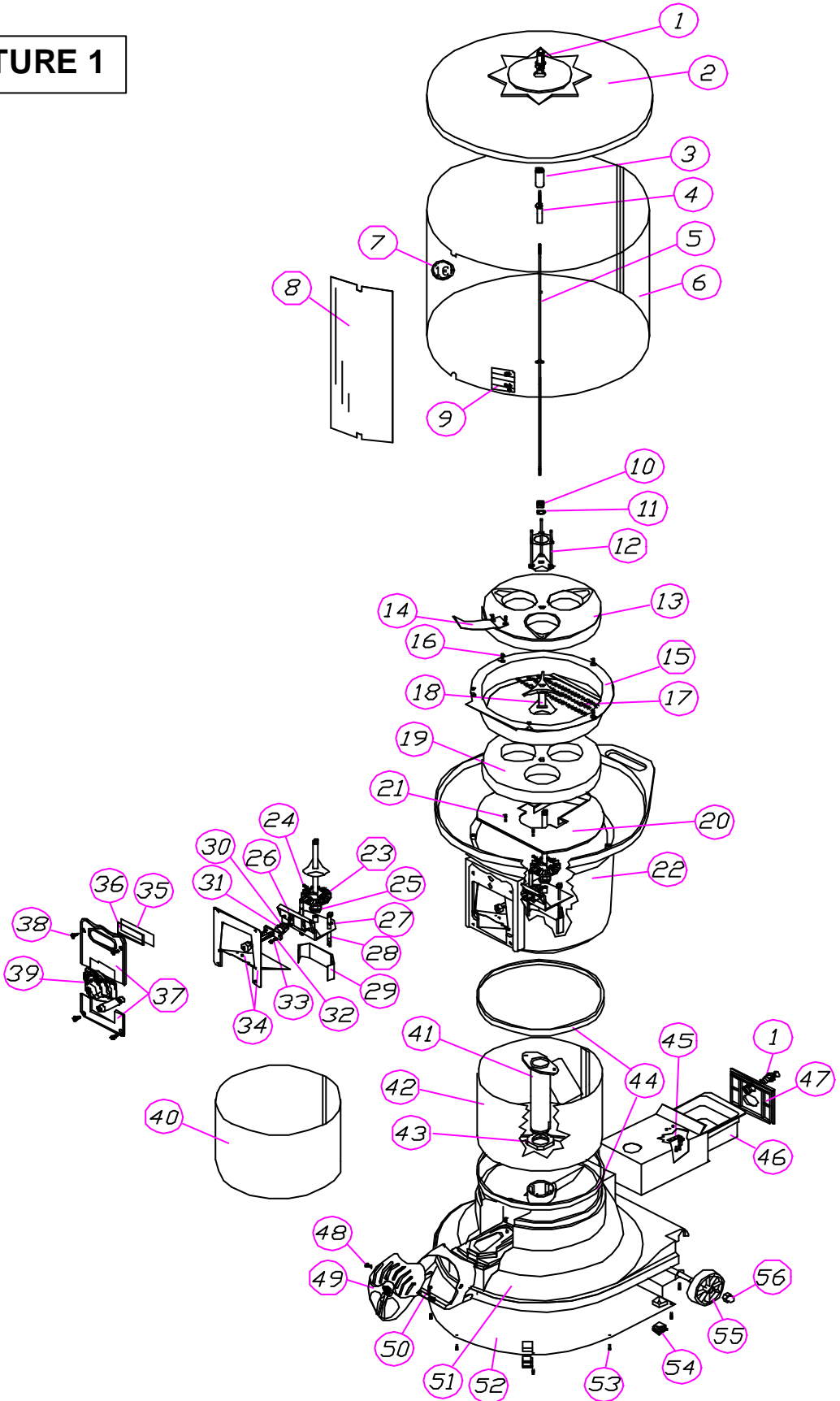


DISCAPA

MINI BOULY

Technical Manual

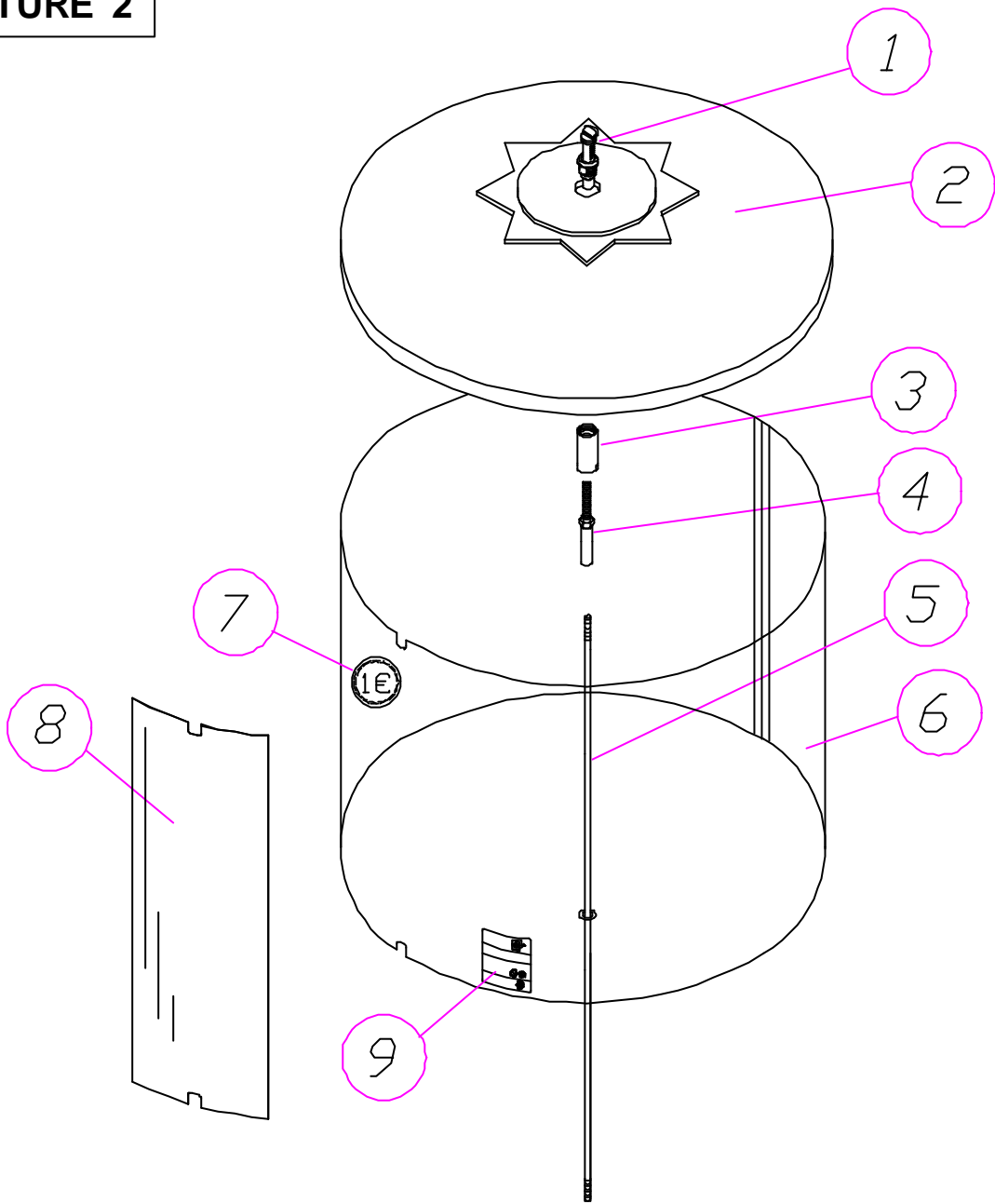
PICTURE 1



SUMMARY

Nº	Code	Description
1	R1CE-S/M	LOCK
2	R1PL -102	RED LID
3	R1MT-041	LID CONE
4	R1MT-020	EXTENSION ROD
5	R1MT-024	450 MM. ROD
6	R1PL -001	450 MM. HIGH IMPACT GLOBE
7	R1GR-202	JUST 1• STICKER
8	R1GR-001	450 MM. DECAL BOULY MIX
9	R1GR-10 A/C	REGULATION STICKER
10	R1FE-102	TRIDENT NUT
11	R1FE-203	TRIDENT WASHER
12	R1MT-031	66 MM. TRIDENT
13	R1PL -212	66 MM. UPPER DISPENSER + REMOVER
14	R1PL -205	96 MM – 66 MM. REMOVER
15	R1PL -213	66 MM. SPRING SUPPORT
16	R1FE-006	3,5X9,5 SPRING SUPPORT SCREW
17	R1FE-401	SPRING SUPPORT SPRING
18	R1MT-052A	66 MM. DISPENSER SEPARATOR
19	R1PL -211	66 MM. LOWER DISPENSER
20	R1FE-005	4X8 CAPSULES ROLLING BASE SCREW
21	R1MT-072	66 MM. CAPSULES ROLLING BASE
22	R1PL -123	BLUE UPPER BODY
23	R1PL -301	30D CROWN WHEEL
24	R1FE-004	4,1X10 SHAFT SCREW + CROWN WHEEL
25	R3FE-401	BEARING
26	R1MT-102	66 MM. Z-SHAPPED SHAFT SUPPORT
27	R1FE-201	BODY AND BASE CONNECTION GROWER
28	R1FE-008	8X120 BODY AND BASE CONNECTION SCREW
29	R1MT-111	SHAFT SUPPORT COLUMN
30	R1MT-092A	10D PINION + ELASTIC PIN
31	R1FE-301	PINION ELASTIC PIN
32	R1FE-202	SHAFT + PINION GROWER
33	R1FE-010	M-4X12 SHAFT + PINION NUT
34	R1MT-062	COIN MECHANISM FRAME INTERIOR ATTACHMENT
35	R1GR-201	PRICE STICKER
36	R1GR-301	PRICE COIN MECHANISM FRAME PROTECTOR
37	R1MT-061	COIN MECHANISM FRAME
38	R1FE-003	M6X16 COIN MECHANISM FRAME SCREW
39	R1MO-S/M	BOULY COIN MECHANISM
40	R1GR-006	MINI BOULY LOWER DECAL
41	R1MT-141	BOULY CENTRAL TUBE
42	R1MT-121	LOWER BODY
43	R1PL -302	CENTRAL TUBE NYLON NUT
44	R1PL -133	BLUE RING
	R1PL -132	RED RING
45	R1MT-132	COIN BOX HOUSING ANGLE
46	R1PL -501	COIN BOX
47	R1MT-001	COIN BOX DOOR
48	R1FE-001	6X8 CAPSULE CATCHER LID SCREW
49	R1PL -402	CAPSULE CATCHER LID
50	R1FE-002	4,8X16 CAPSULE CATCHER BASE SCREW
51	R1PL -112	RED LOWER BASE
52	R1MT-151	METALLIC BASE
53	R1FE-007	METALLIC BASE SCREW AND COIN BOX HOUSING
54	R1FE-501	METALLIC BASE HEEL
55	R1PL -601	WHEEL
56	R1FE-101	WHEEL NUT

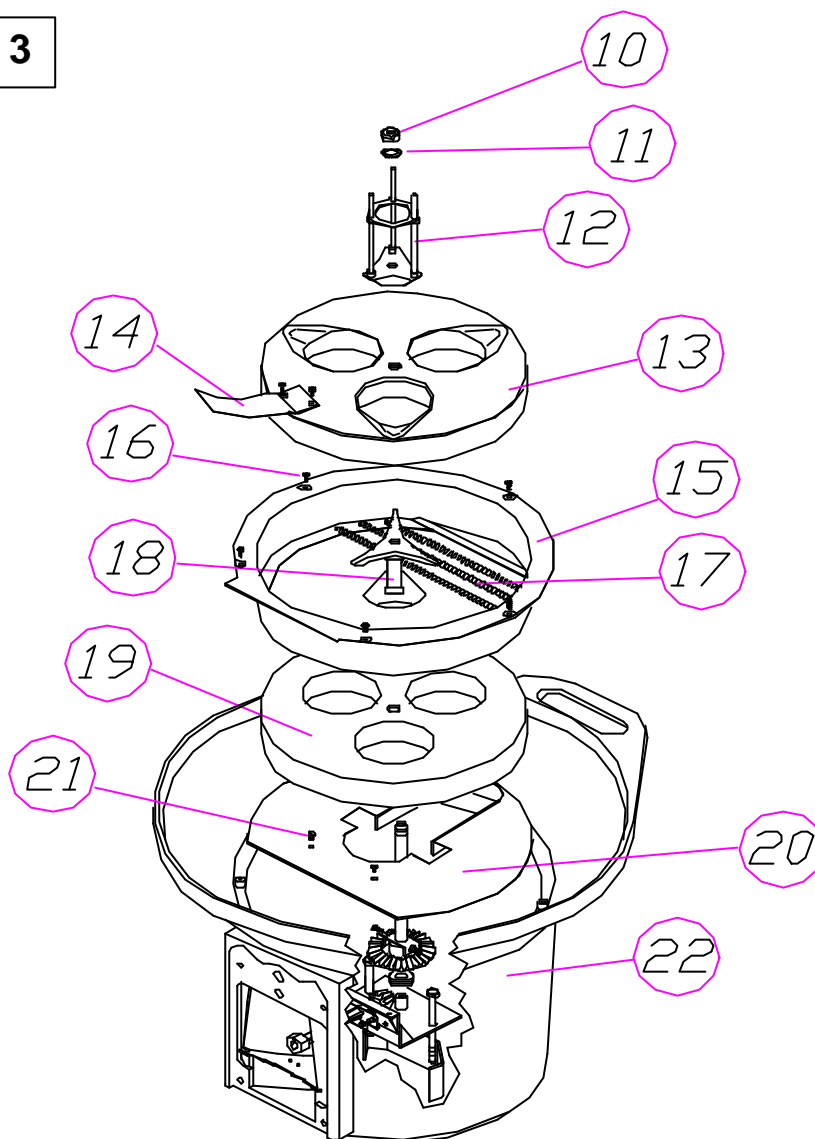
PICTURE 2



PICTURE 2 PARTS

N°	Code	Description
1	R1CE-S/M	LOCK
2	R1PL -102	RED LID
3	R1MT-041	LID CONE
4	R1MT-020	EXTENSION ROD
5	R1MT-024	450 MM. ROD
6	R1PL -001	450 MM. HIGH IMPACT GLOBE
7	R1GR-202	JUST 1• STICKER
8	R1GR-001	450 MM. DECAL BOULY MIX
9	R1GR-10 A/C	REGULATION STICKER

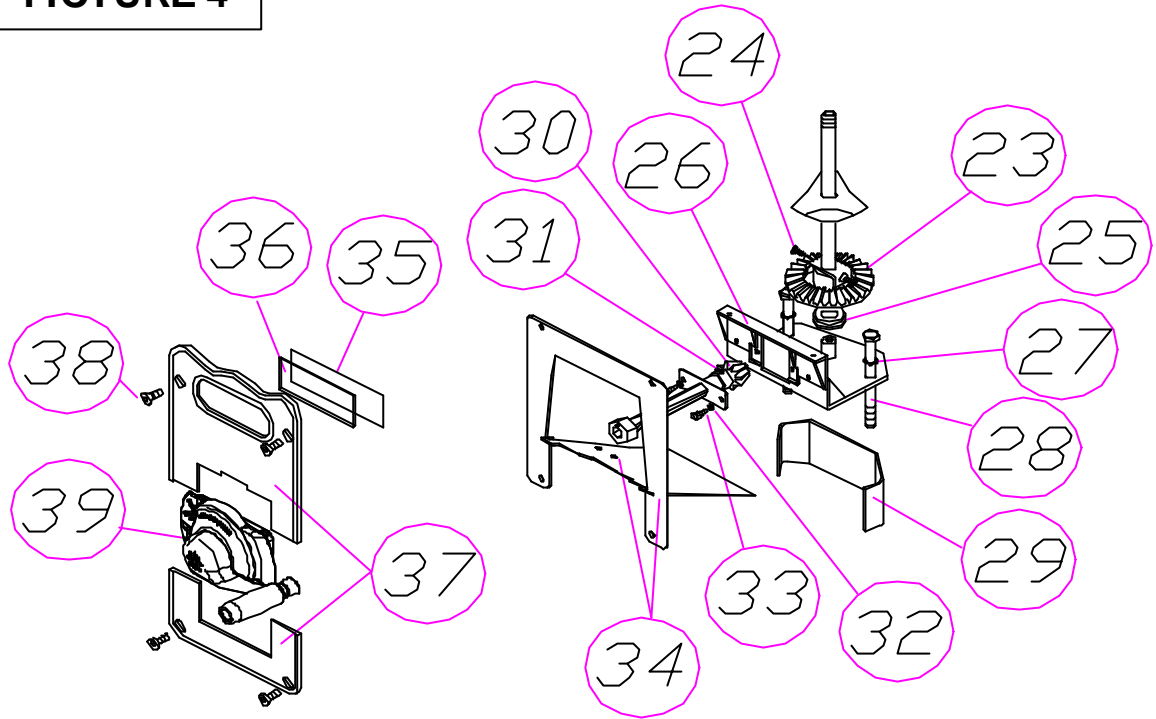
PICTURE 3



PICTURE 3 PARTS

Nº	Code	Description
10	R1FE-102	TRIDENT NUT
11	R1FE-203	TRIDENT WASHER
12	R1MT-031	66 MM. TRIDENT
13	R1PL-212	66 MM. UPPER DISPENSER + REMOVER
14	R1PL-205	96 MM - 66 MM. REMOVER
15	R1PL-213	66 MM. SPRING SUPPORT
16	R1FE-006	3,5X9,5 SPRING SUPPORT SCREW
17	R1FE-401	SPRING SUPPORT SPRING
18	R1MT-052	66 MM. DISPENSER SEPARATOR
19	R1PL-211	66 MM. LOWER DISPENSER
20	R1FE-005	CAPSULES ROLLING BASE SCREW
21	R1MT-072	66 MM. CAPSULES ROLLING BASE
22	R1PL-123	BLUE UPPER BODY

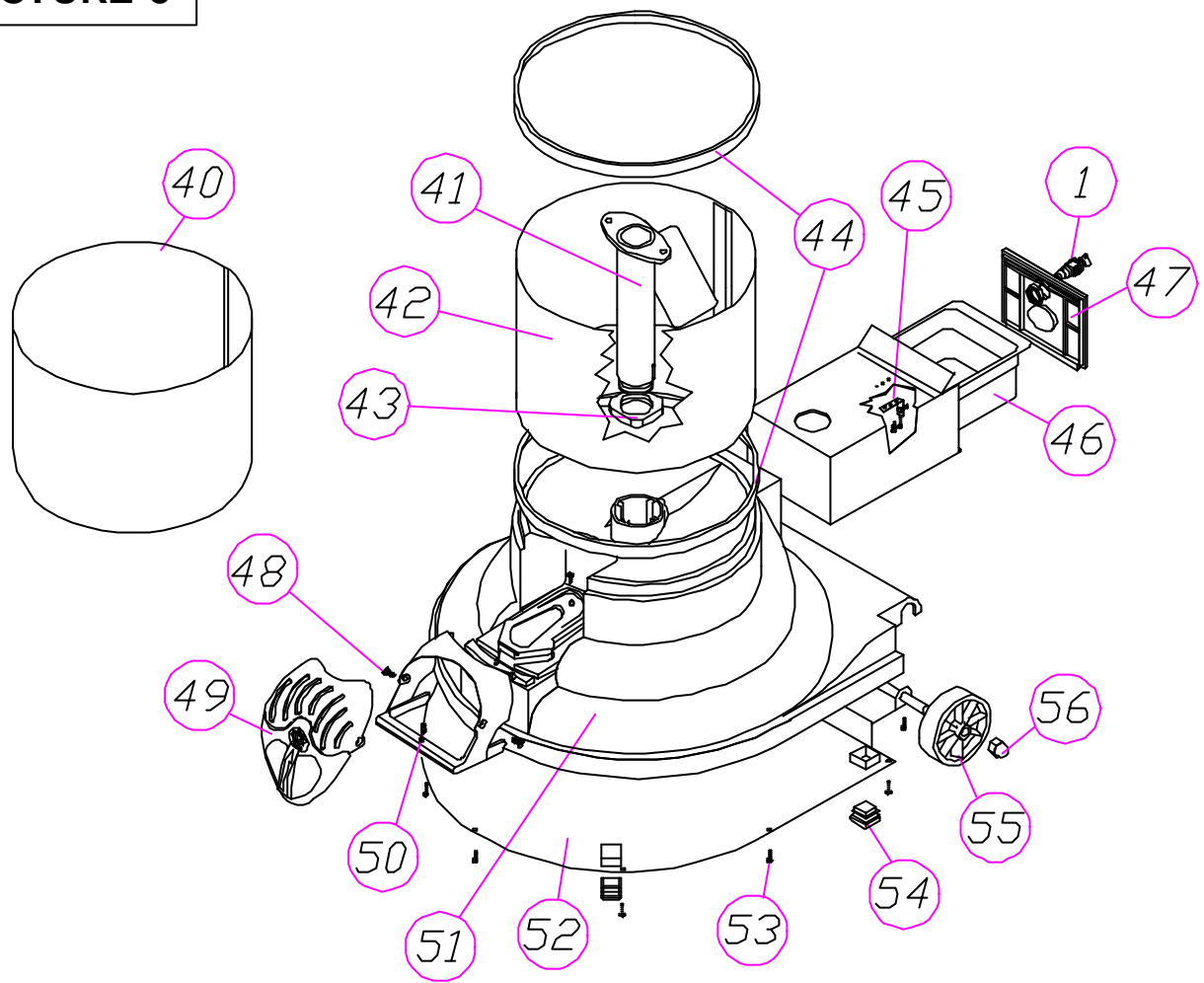
PICTURE 4



PICTURE 4 PARTS

Nº	Code	Description
23	R1PL -301	30D CROWN WHEEL
24	R1FE -004	4,1X10 SHAFT SCREW + CROWN WHEEL
25	R3FE -401	BEARING
26	R1MT-102	66 MM. Z-SHAPPED SHAFT SUPPORT
27	R1FE -201	BODY AND BASE CONNECTION GROWER
28	R1FE -008	8X120 BODY AND BASE CONNECTION SCREW
29	R1MT-111	SHAFT SUPPORT COLUMN
30	R1MT-092A	10D PINION + ELASTIC PIN
31	R1FE -301	PINION ELASTIC PIN
32	R1FE -202	SHAFT + PINION GROWER
33	R1FE -104	M-4X12 SHAFT + PINION NUT
34	R1MT-062	COIN MECHANISM FRAME INTERIOR ATTACHMENT
35	R1GR -201	PRICE STICKER
36	R1GR -301	PRICE COIN MECHANISM FRAME PROTECTOR
37	R1MT-061	COIN MECHANISM FRAME
38	R1FE -003	6X16 COIN MECHANISM FRAME SCREW
39	R1MO-A/C	BOULY COIN MECHANISM

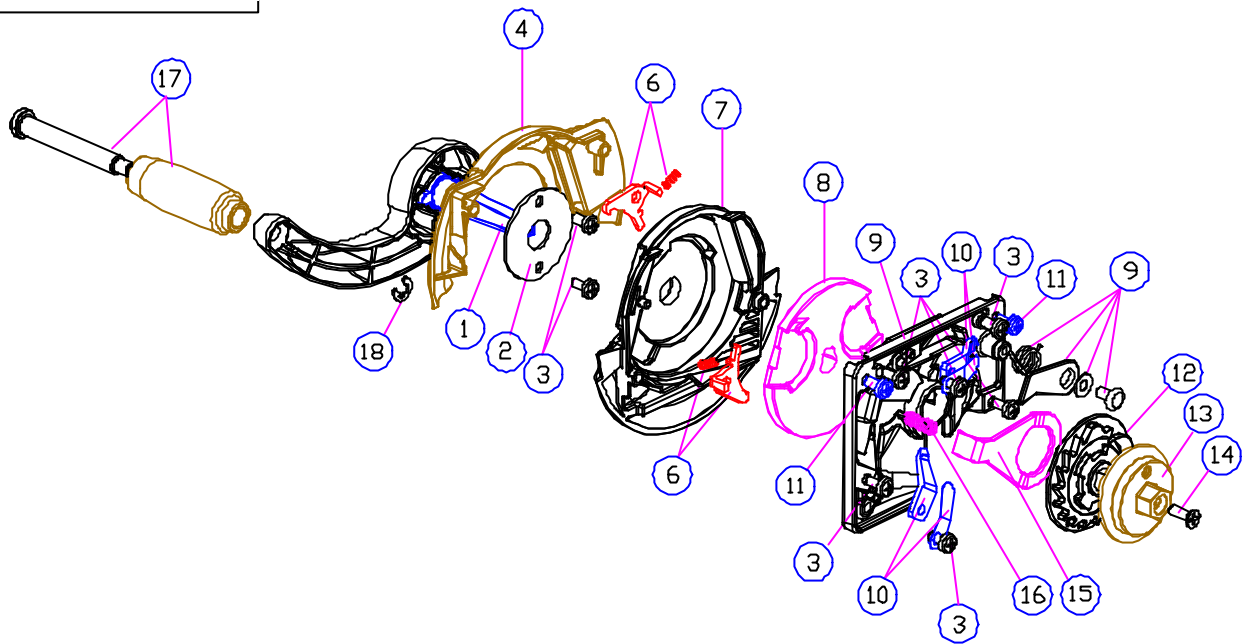
PICTURE 5



PICTURE 5 PARTS

Nº	Code	Description
1	R1CE-A/M	LOCK
40	R1GR-006	MINI BOULY LOWER DECAL
41	R1MT-141	BOULY CENTRAL TUBE
42	R1MT-121	LOWER BODY
43	R1PL -302	CENTRAL TUBE NYLON NUT
44	R1PL -133	BLUE PLASTIC RING
	R1PL -132	RED PLASTIC RING
45	R1MT-132	COIN BOX HOUSING ANGLE
46	R1PL -501	COIN BOX
47	R1MT-001	COIN BOX DOOR
48	R1FE-001	6X8 CAPSULE CATCHER LID SCREW
49	R1PL -402	CAPSULE CATCHER LID
50	R1FE-002	4,8X16 CAPSULE CATCHER BASE SCREW
51	R1PL -112	RED LOWER BASE
52	R1MT-151	METALLIC BASE
53	R1FE-007	3,3X16 METALLIC BASE SCREW AND COIN BOX HOUSING
54	R1FE-501	METALLIC BASE HEEL
55	R1PL -601	WHEEL
56	R1FE-101	WHEEL NUT

PICTURE 6



REF. R1MO -A/C MINIBOULY COIN MECHANISM

PICTURE 6 PARTS

Nº	Code	Description
1	R1MO-983	COIN SHAFT FOR 1 AND 2 COINS
2	R1MO-982	CRANK HANDLE LOCKING PLATE
3	R1MO-994	CRANK HANDLE SCREW/ CHASSIS/ HOOK STRIP
4	R1MO-903	1 COIN BLUE SELECTOR
	R1MO-913	2 COINS BLUE SELECTOR
6	R1MO-986	DIAMETER READER CAM + SPRING
7	R1MO-984	SILVER FRONT CHASSIS
8	R1MP-A/C	COIN CARRIER
9	R1MO-985	REAR CHASSIS
10	R1MO-987	THICKNESS COIN READER HOOK + STRIP
11	R1MO-993	COIN SELECTOR SCREW
12	R1MO-990	1 AND 2 COIN COGGED CAM
13	R1MO-991	COIN MECHANISM EXTENSION
14	R1MO-992	EXTENSION SCREW
15	R1MO-988	1 AND 2 COIN BALANCE LEVER
16	R1MO-989	BALANCE LEVER SPRING
17	R1MO-953	BLUE HANDLE + SHAFT
18	R1MO-981	HANDLE SEGER
	R1MO-923	CRANK HANDLE + BLUE HANDLE (KIT)
	R1MO-933	CRANK HANDLE + SHAFT + BLUE HANDLE (KIT)

KITS	
Code	Description
R1CO-007	COMPLETE COUNTER (KIT)
R1CO-010	COUNTER + COIN BOX (KIT)
R1CO-011	COIN MECHANISM EXTENSION WITH SUPPORT + MAGNET (KIT)
R1PL - 401	CAPSULE CATCHER (KIT)
R1MT-131	COIN BOX HOUSING + ANGLE (KIT)
R1MT-152	METALLIC BASE + WHEELS + HEELS (KIT)
R1MT-091	SHAFT + PINION (KIT)
R1MT-002	COIN BOX DOOR + SECURITY LID
R1MT-082	96 MM. CROWN WHEEL + SHAFT (KIT)
R1MT-122	LOWER BODY + MINI BOULY RINGS (KIT)
R1MT-153	COMPLETE RED BASE (KIT)
R1PL -216	66 MM. DISPENSER SET (KIT)

KITS



R1CO-007 COMPLETE COUNTER



R1CO-010 COUNTER + COIN BOX (KIT)



R1CO-011 COIN MECHANISM EXTENSION WITH SUPPORT + MAGNET (KIT)



R1MO-A/C* COIN MECHANISM + MAGNET SUPPORT

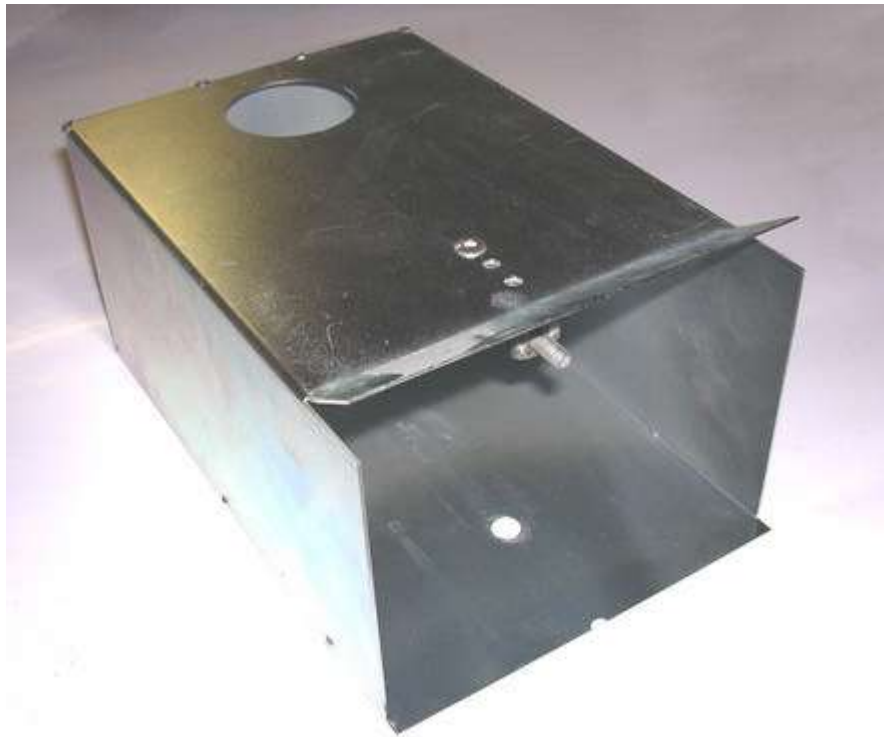
* A/C = According to the country.



R1MT-091 SHAFT + PINION (KIT)



R1MT-082 66 MM. CROWN WHEEL + SHAFT (KIT)



R1MT-131 COIN BOX HOUSING + ANGLE (KIT)



R1MT-002 COIN BOX DOOR + SECURITY LID



R1MT-122 LOWER BODY + MINI BOULY RINGS (KIT)



R1PL - 401 CAPSULE CATCHER (KIT)



R1MT-153 COMPLETE RED BASE (KIT)



R1MT-152 METALLIC BASE + WHEELS + HEELS (KIT)



R1PL -216 66 MM. DISPENSER SET (KIT)

OPTIONAL ACCESSORIES	
Code	Description
R1FE -601	NYLON NUT SPANNER
R1FE -602	T-SPANNER
R1FE -605	N. 4 ALLEN SPANNER
R1FE -604	N.4 SECURITY ALLEN SPANNER
R1FE -009	SECURITY COIN MECHANISM FRAME SCREW



R1FE -601 NYLON NUT SPANNER

Use: Unscrew/screw the nylon nut to the central tube of the vending machine.
 A lever or ratchet is required. These tools are not supplied by Discapa.



R1FE -602 T-SPANNER

Use : Unscrew/screw the body and base connection screws to the vending machine.



R1FE -605 N.4 ALLEN SPANNER

Use: Unscrew/screw the coin mechanism frame to the vending machine.



R1FE -604 N.4 SECURITY ALLEN SPANNER

Use: Unscrew/screw the coin mechanism frame to the vending machine with high security screws.



R1FE -009 SECURITY COIN MECHANISM FRAME SCREW

Use: For a high security coin mechanism frame.